

# ISIS Multipurpose



The ISIS 102M, 102W, 122M, and 152M are compact, portable, multipurpose loudspeakers that extend QSC's commitment to the corporate industrial and special events market. These new loudspeakers offer greater versatility, better value, and increased performance to an already exceptional product line.

These new ISIS loudspeakers are full range, two-way models featuring selectable active (bi-amp) or passive crossover operation. With their advanced cored composite construction, these enclosures feature superior strength and reduced weight—all of which translates to more focused sound (as a result of increased wall rigidity), safer rigging, and lower transportation and handling costs. As an added benefit, the composite enclosures and stainless steel hardware provide excellent weather resistance for outdoor applications. They also provide the ideal mid/high complement to the ISIS 215PCM subwoofer. In addition, these enclosures are available in a more cost effective non-weatherized wood version.

QSC's ISIS multipurpose loudspeakers are constructed from the finest components. To produce maximum output and work efficiently in any application, all models feature a 1.4" exit, 3" titanium diaphragm compression driver. The "M" models employ a spherical (60°) HF waveguide for even dispersion regardless of orientation and a high-power neodymium woofer for reduced weight, while the "W" model offers an exceptionally wide coverage pattern (150° x 50°) via a rotatable waveguide.

All ISIS multipurpose loudspeakers feature a full assortment of versatile hardware to make the task of rigging and installation a straightforward

process. Integrated fly track hardware on top and bottom plus an independent rear center point allows for easy, safe rigging. Each model has a dedicated yoke mount accessory available, and there's also a built-in pole cup for stand mounting. The symmetrical multi-angle cabinet design facilitates both FOH and stage monitor applications.

## Key Features

- Neodymium woofers (122M and 152M) and compression drivers provide reduced speaker enclosure weight
- Integral L-track flying hardware (top and bottom) facilitates safe and easy rigging
- Cored Composite construction (Composilite™) and foam backed stainless steel grills provide excellent weather resistance for outdoor applications
- Suitable for both FOH and stage monitor applications
- Multipurpose cabinet design comes in 3 sizes; accommodating 10", 12", and 15" LF drivers
- All models are designed to complement the ISIS 215PCM subwoofer, which provides DSP processing and amplification for any accompanying 2-way enclosures, thus creating a self-contained, self-powered, 3-way system
- Switchable passive/active crossover modes—flat response for quick setup and use (passive crossover mode); Extremely flat and accurate active (DSP) voicing for bi-amped applications (active crossover mode)

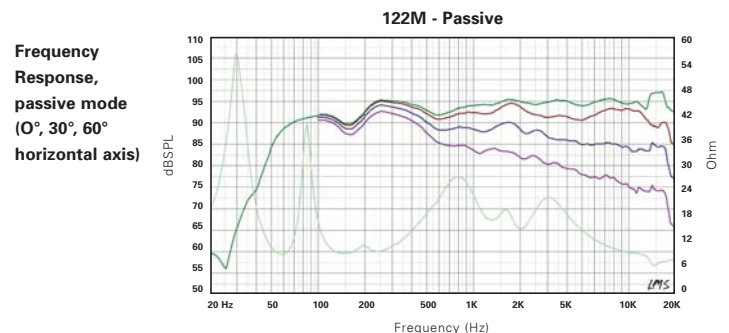
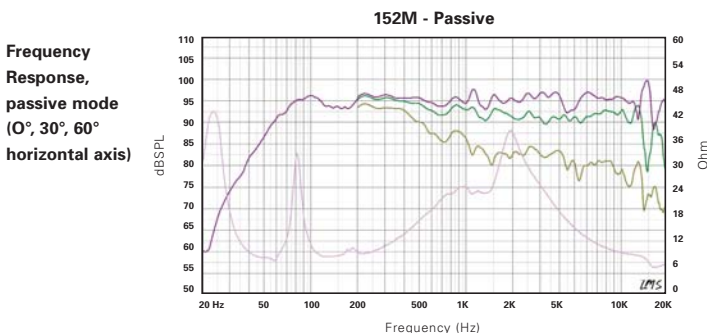
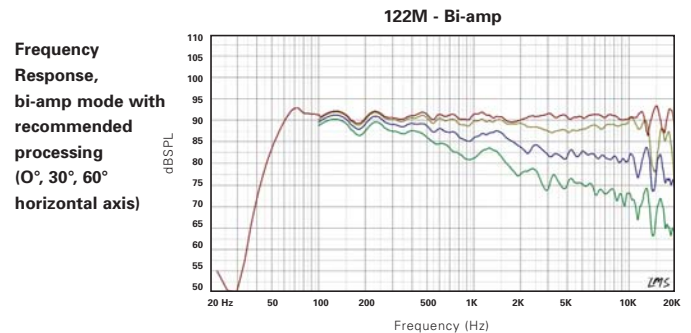
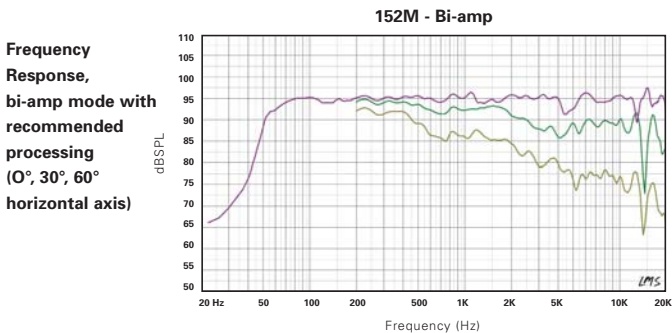


# ISIS Multipurpose 152M / 122M Specifications and Frequency Response

Specifications	152M Passive Mode	152M Bi-amp Mode*	122M Passive Mode	122M Bi-amp Mode*
<b>Frequency Range (4<math>\pi</math>)</b>	45 Hz - 21 kHz (-10 dB)	45 Hz - 21 kHz (-10 dB)	50 Hz - 20 kHz (-10 dB)	45 Hz - 20 kHz (-10 dB)
<b>Frequency Response (4<math>\pi</math>)</b>	55 Hz - 20 kHz (-6 dB)	50 Hz - 20 kHz (-6 dB)	60 Hz - 19 kHz (-6 dB)	55 Hz - 19 kHz (-6 dB)
<b>Maximum Output</b>				
<b>Calculated Peak Output</b>	126 dB SPL	LF: 127, HF: 133 dB SPL	126 dB SPL	LF: 127, HF: 133 dB SPL
<b>Calculated Continuous Output</b>	120 dB SPL	LF: 121, HF: 127 dB SPL	120 dB SPL	LF: 121, HF: 127 dB SPL
<b>Continuous Noise Exposure Level</b>	120 dBA	120 dBA	119 dBA	120 dBA
<b>Impedance, Nominal</b>	8 $\Omega$	LF: 8 $\Omega$ , HF: 8 $\Omega$	8 $\Omega$	LF: 8 $\Omega$ , HF: 8 $\Omega$
<b>Power Rating</b>				
<b>Recommended Max Amp Power</b>	700 W	LF: 700 W    HF: 160 W	700 W	LF: 700 W    HF: 160 W
<b>RMS Power Handling (IEC)</b>				
<b>8 hours</b>	350 W	LF: 350 W    HF: 80 W	350 W	LF: 350 W    HF: 80 W
<b>Sensitivity</b>	96 dB, 1 W, 1 m, free field	LF: 96.5 dB, 1 W, 1 m, 100 Hz - 1 kHz HF: 108 dB, 1 W, 1 m, 1 kHz - 16 kHz	95 dB, 1 W, 1 m, free field	LF: 96 dB, 1 W, 1 m, 100 Hz - 1 kHz HF: 108 dB, 1 W, 1 m, 1 kHz - 16 kHz
<b>Recommended Processing</b>	Optional 45 Hz high-pass >12 dB/Octave	QSC DSP product with appropriate configuration file	Optional 50 Hz high-pass >12 dB/Octave	QSC DSP product with appropriate configuration file

Specifications	152M Both Bi-amp and Passive Mode	122M Both Bi-amp and Passive Mode
<b>Controls</b>	Bi-amp/Passive Switch	Bi-amp/Passive Switch
<b>Transducers</b>	LF: 15" high power woofer, 3" (76mm) voice coil, weather treated paper cone, lightweight neodymium magnet structure HF: 1.4" (38mm) exit, 3" titanium diaphragm compression driver on low distortion, constant directivity waveguide	LF: 12" high power woofer, 3" (76mm) voice coil, weather treated paper cone, lightweight neodymium magnet structure HF: 1.4" (38mm) exit, 3" titanium diaphragm compression driver on low distortion, constant directivity waveguide
<b>Nominal Coverage</b>	60°conical (2.5 kHz)	60°conical (2.5 kHz)
<b>Bass Loading</b>	Ported, tuned to 53 Hz	Ported, tuned to 60 Hz
<b>Connector</b>	Two Neutrik® NL4-series airtight panel-mount Speakons™ wired in parallel	Two Neutrik® NL4-series airtight panel-mount Speakons™ wired in parallel
<b>Enclosure</b>		
<b>Material</b>	Multi-angle wedge constructed of weather-resistant cored Compositelite™, or Lynex coated 13 ply Baltic Birch	Multi-angle wedge constructed of weather-resistant cored Compositelite™, or Lynex coated 13 ply Baltic Birch
<b>Finish</b>	Textured black	Textured black
<b>Grille</b>	Heavy duty stainless steel, painted black	Heavy duty stainless steel, painted black
<b>Rigging System</b>	Front and rear fly track on top and bottom plus independent rear center pullback/safety point	Front and rear fly track on top and bottom plus independent rear center pullback/safety point
<b>Dimensions</b>	31" H x 18" W x 13.5" D 787.4 x 457.2 x 342.9 mm	27.5" H x 15.5" W x 11.5" D 698.5 x 393.7 x 292.1 mm
<b>Weight</b>	Composite Version: 49 lb. (22.2 kg) Wood Version: 60 lb. (27.27 kg)	Composite Version: 34 lb. (15.4 kg) Wood Version: 46 lb. (20.91 kg)

\*Bi-amp Mode with recommended QSC DSP configuration. *Specifications subject to change without notice.*

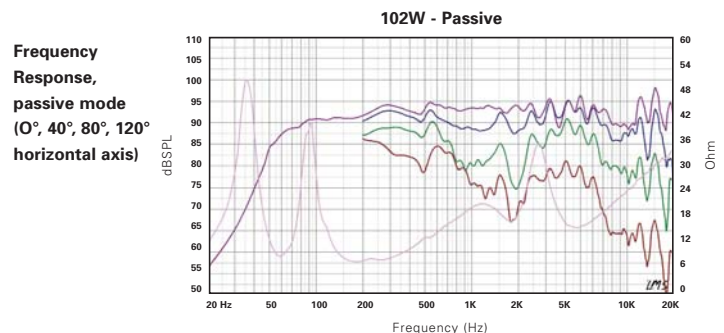
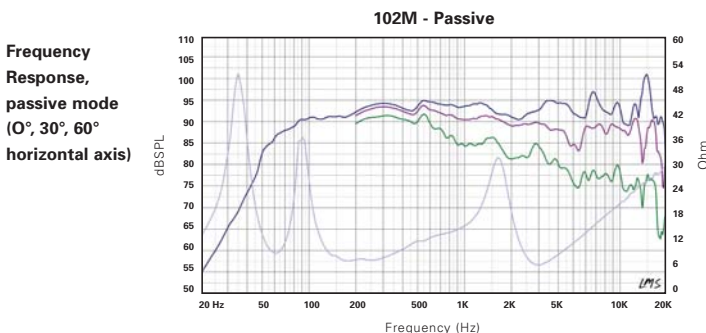
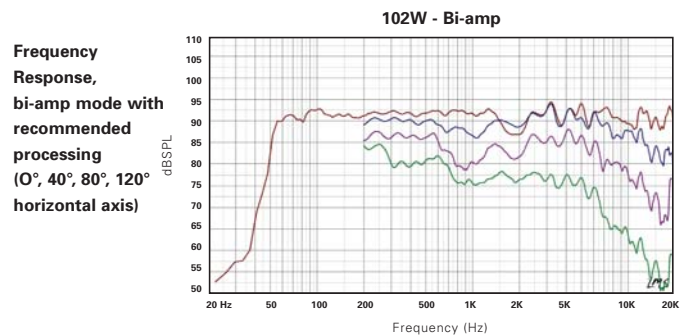
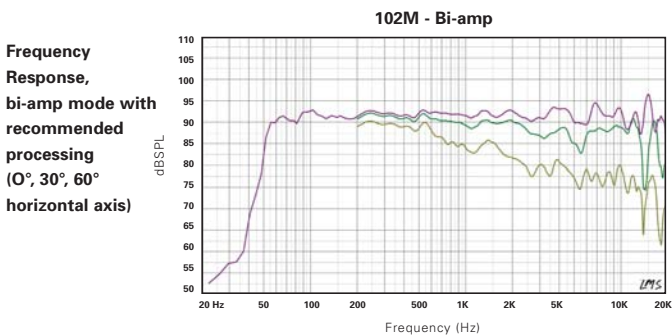


# ISIS Multipurpose 102M / 102W Specifications and Frequency Response

Specifications	102M Passive Mode	102M Bi-amp Mode*	102W Passive Mode	102W Bi-amp Mode*
<b>Frequency Range (4π)</b> <b>Frequency Response (4π)</b>	50 Hz - 20 kHz (-10 dB) 60 Hz - 19 kHz (-6 dB)	50 Hz - 20 kHz (-10 dB) 55 Hz - 19 kHz (-6 dB)	50 Hz - 21 kHz (-10 dB) 60 Hz - 20 kHz (-6 dB)	45 Hz - 20 kHz (-10 dB) 55 Hz - 19 kHz (-6 dB)
<b>Maximum Output</b> <b>Calculated Peak Output</b> <b>Calculated Continuous Output</b> <b>Continuous Noise Exposure Level</b>	124 dB SPL 118 dB SPL 116 dBA	LF: 125, HF: 133 dB SPL LF: 119, HF: 127 dB SPL 117 dBA	124 dB SPL 118 dB SPL 116 dBA	LF: 126, HF: 128 dB SPL LF: 120, HF: 122 dB SPL 119 dBA
<b>Impedance, Nominal</b>	8 Ω	8 Ω	8 Ω	8 Ω
<b>Power Rating</b> <b>Recommended Max Amp Power</b> <b>RMS Power Handling (IEC)</b> <b>8 hours</b>	600 W  300 W	LF: 600 W    HF: 160 W  LF: 300 W    HF: 80 W	600 W  300 W	LF: 600 W    HF: 160 W  LF: 300 W    HF: 80 W
<b>Sensitivity</b>	93 dB, 1 W, 1 m, free field	LF: 94 dB, 1 W, 1 m, 100 Hz - 1 kHz HF: 108 dB, 1 W, 1 m, 1 kHz - 16 kHz	93 dB, 1 W, 1 m, free field	LF: 94 dB, 1 W, 1 m, 100 Hz - 1 kHz HF: 103 dB, 1 W, 1 m, 1 kHz - 16 kHz
<b>Recommended Processing</b>	Optional 55 Hz high-pass >12 dB/Octave	Optional 55 Hz high-pass >12 dB/Octave	Optional 55 Hz high-pass >12 dB/Octave	Optional 55 Hz high-pass >12 dB/Octave

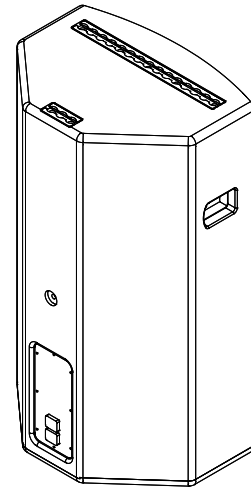
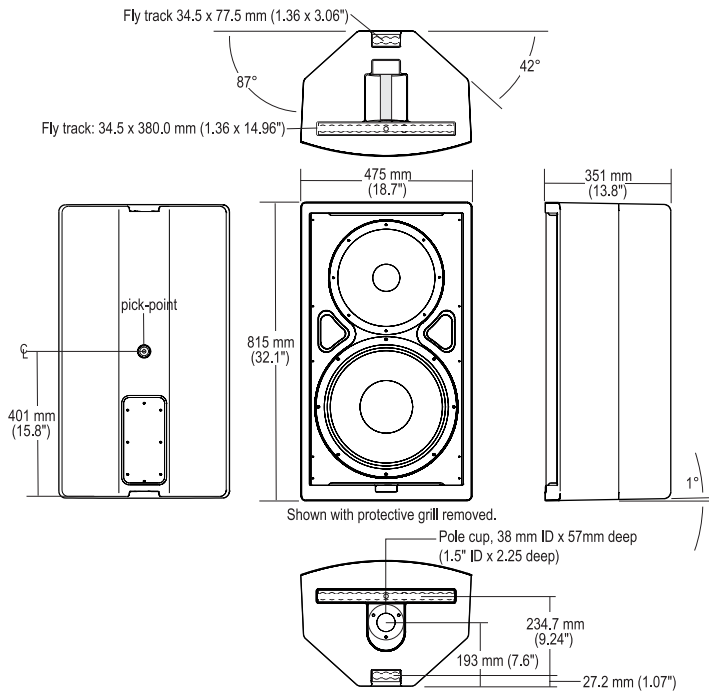
Specifications	102M Both Bi-amp and Passive Mode	102W Both Bi-amp and Passive Mode
<b>Controls</b>	Bi-amp/Passive Switch	Bi-amp/Passive Switch
<b>Transducers</b>	LF: 10" high power woofer, 3" (76mm) voice coil, weather treated paper cone, high efficiency ferrite magnet structure HF: 1.4" (38mm) exit, 3" titanium diaphragm compression driver on low distortion, constant directivity waveguide	LF: 10" high power woofer, 3" (76mm) voice coil, weather treated paper cone, high efficiency ferrite magnet structure HF: 1.4" (38mm) exit, 3" titanium diaphragm compression driver on low distortion, constant directivity waveguide
<b>Nominal Coverage</b>	60°conical (2.5 kHz)	150° x 50°(H x V), can be rotated to 50°x 150° (2.5 kHz)
<b>Bass Loading</b>	Ported, tuned to 63 Hz	Ported, tuned to 63 Hz
<b>Connector</b>	Two Neutrik® NL4-series airtight panel-mount Speakons™ wired in parallel	Two Neutrik® NL4-series airtight panel-mount Speakons™ wired in parallel
<b>Enclosure</b>		
<b>Material</b>	Multi-angle wedge constructed of weather-resistant cored Composilite™, or Lynex coated 13 ply Baltic Birch	Multi-angle wedge constructed of weather-resistant cored Composilite™, or Lynex coated 13 ply Baltic Birch
<b>Finish</b>	Textured black	Textured black
<b>Grille</b>	Heavy duty stainless steel, painted black	Heavy duty stainless steel, painted black
<b>Rigging System</b>	Front and rear fly track on top and bottom plus independent rear center pullback/safety point	Front and rear fly track on top and bottom plus independent rear center pullback/safety point
<b>Dimensions</b>	24" H x 13" W x 10.5" D 609.6 x 330.2 x 266.7 mm	24" H x 13" W x 10.5" D 609.6 x 330.2 x 266.7 mm
<b>Weight</b>	Composite Version: 36 lb. (16.3 kg) Wood Version: 45 lb. (20.45 kg)	Composite Version: 37 lb. (16.8 kg) Wood Version: 45 lb. (20.45 kg)

\*Bi-amp Mode with recommended QSC DSP configuration. *Specifications subject to change without notice.*



# ISIS Multipurpose Enclosure Dimensions

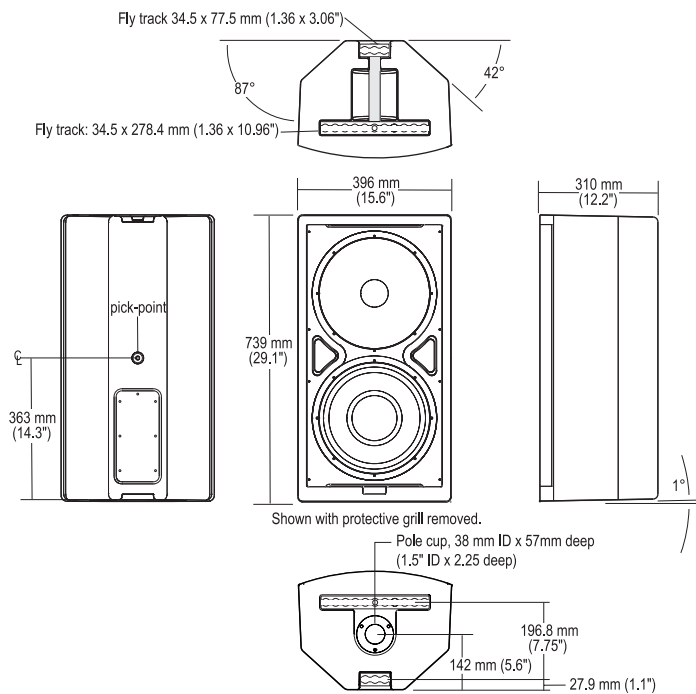
## ISIS 152M Physical Dimensions - Composite Version



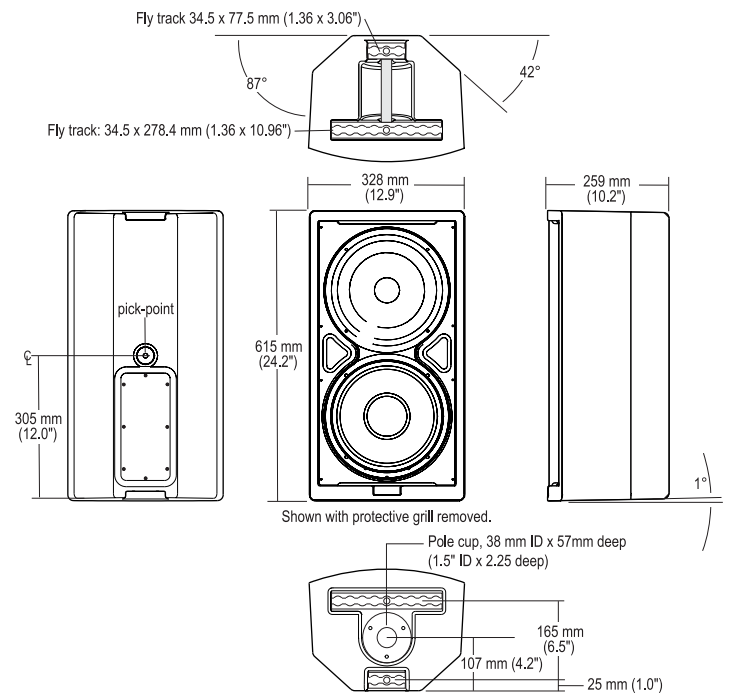
## ISIS W-152M - Wood Version

ISIS wood enclosures substitute side handles in lieu of the top handle.

## ISIS 122M Physical Dimensions - Composite Version



## ISIS 102M / 102W Physical Dimensions - Composite Version



Specifications subject to change without notice.