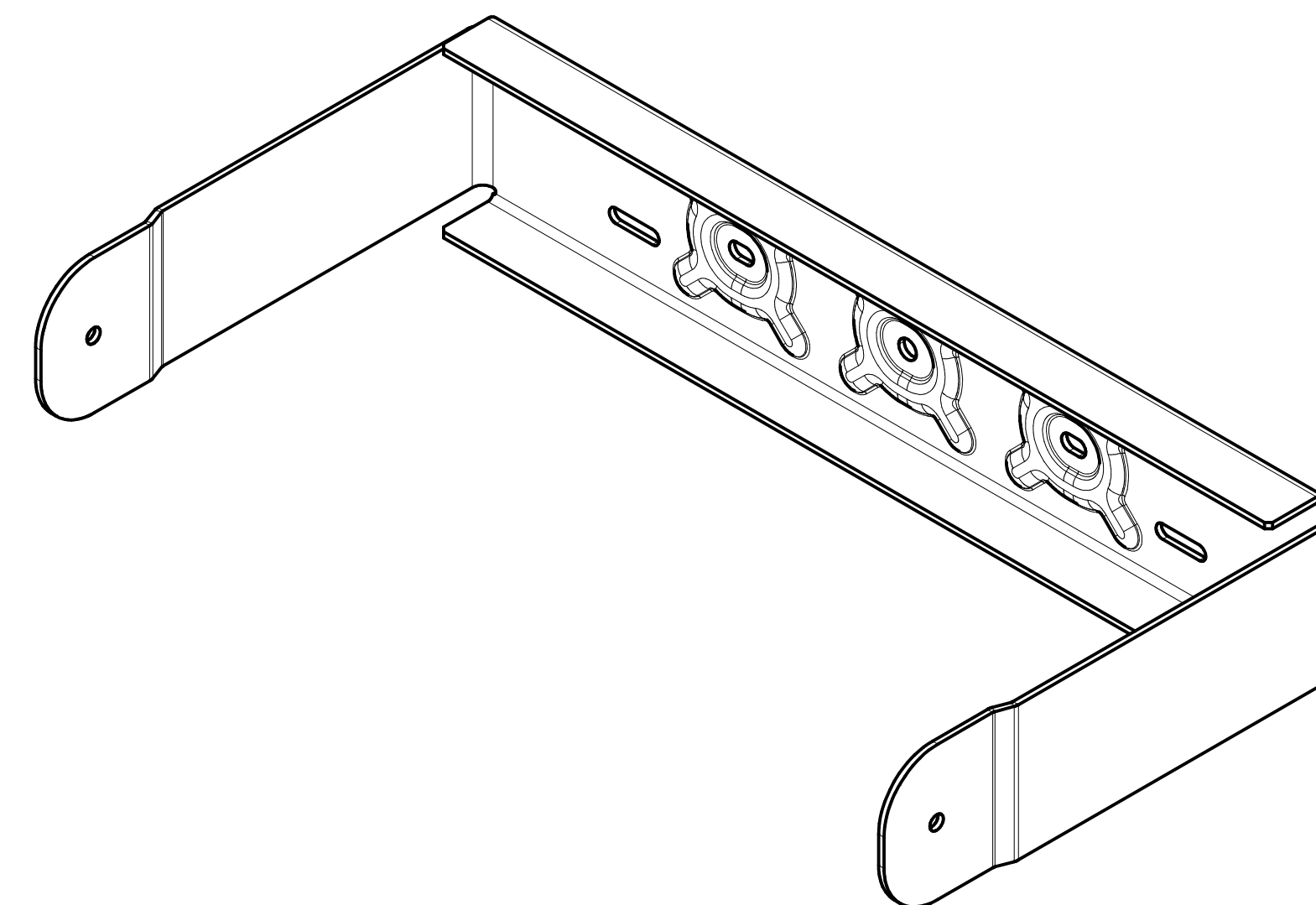
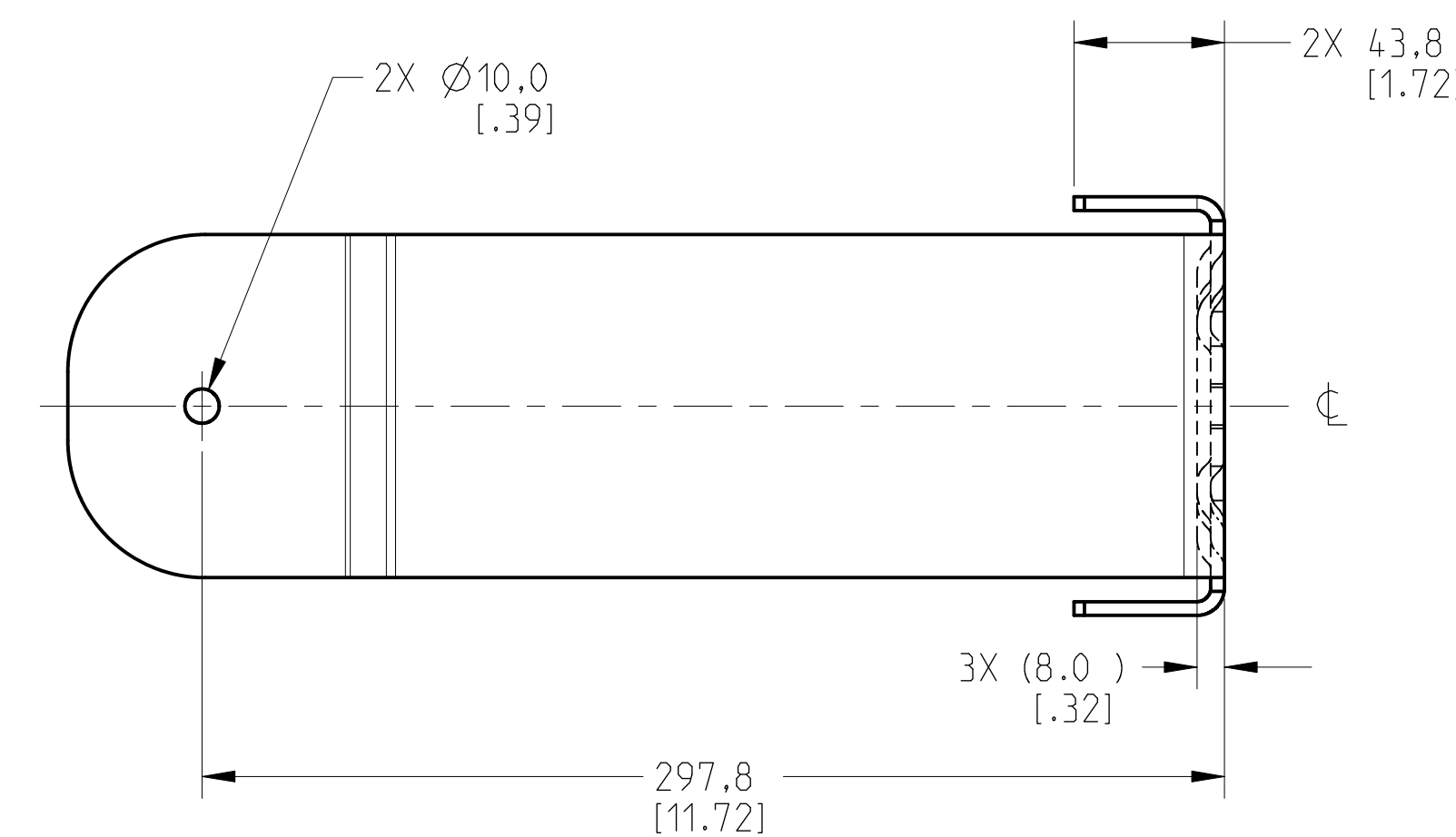
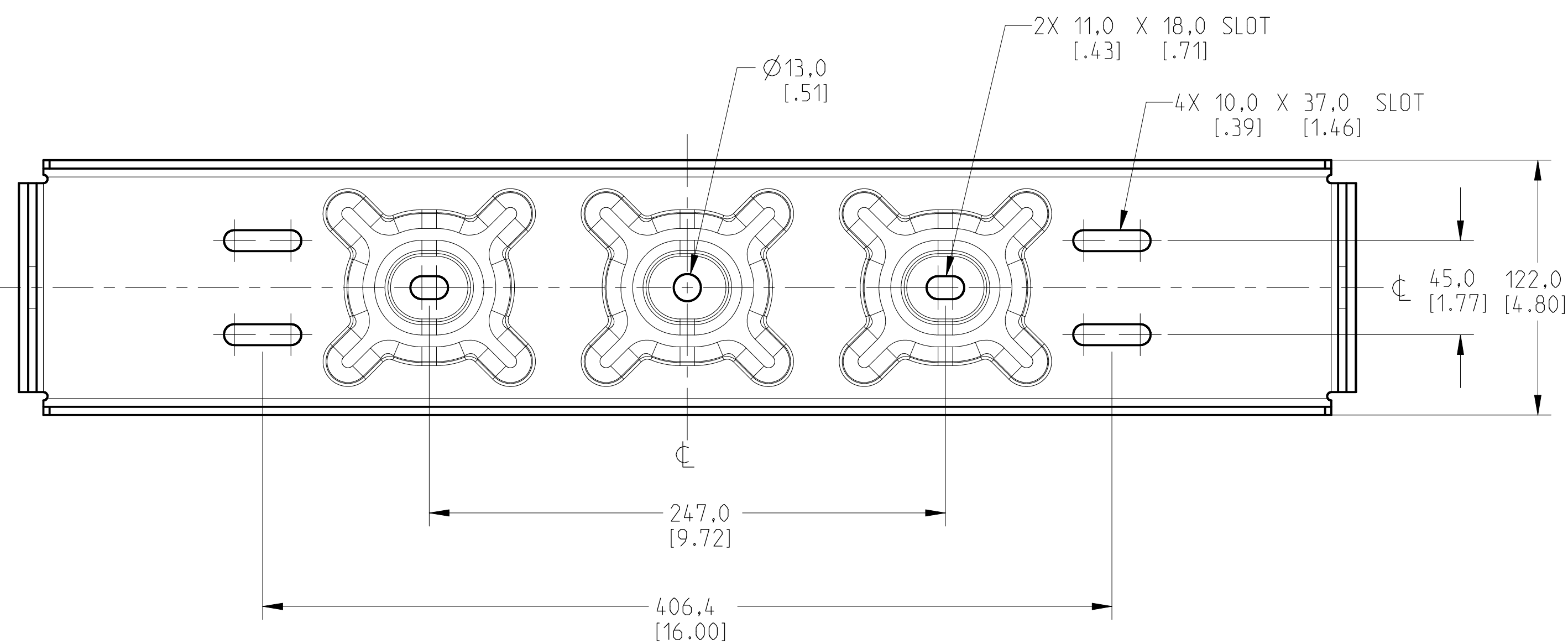


THIS DOCUMENT CONTAINS PROPRIETARY INFORMATION WHICH IS THE PROPERTY OF QSC, LLC. THAT MAY NOT BE DISCLOSED, REPRODUCED OR USED WITHOUT EXPRESS WRITTEN CONSENT FROM QSC, LLC.

REVISIONS			
REV	DESCRIPTION	BY	DATE
A	RELEASE FOR SALES AND MARKETING	ES	15-AUG-16



SCALE 0.300



- 4. PARTS ARE SYMMETRICAL ABOUT CENTER LINES UNLESS OTHERWISE NOTED.
- 3. DIMENSIONS ARE IN MILLIMETERS [INCH].
- 2. TOLERANCES (MM): X ± 3. ANGLES ± 1°.
- 1. NET WEIGHT APPROX. 13.1 LBS (5.94 KG)

NOTE: UNLESS OTHERWISE SPECIFIED

UNLESS OTHERWISE SPECIFIED DIMENSIONS IN MILLIMETERS (IN) TOLERANCES ARE: DECIMALS DECIMALS ANGLES XX±.01 XX±.01 ± 1/2 DECUR EDGES .25 (1.01) R MAX MATERIAL FINISH	DESIGNER	QSC, LLC 1675 MACARTHUR BOULEVARD COSTA MESA, CA 92626	E12YM, FINISHED	
	ENGINEERING SERVICES			
	ENGINEER			
	TECHNICAL DIRECTOR			
MANUFACTURING ENGINEER	SIZE	CAGE CODE	DRAWING NO.	REV
DRAWING INFO: FG-000508-XX-2D.A.1	D	00PW4	FG-000508-XX-2D	A
MODEL INFO: FG-000508-XX-3D.A.1	SCALE: 0.500	DO NOT SCALE DRAWING	SHEET	1 OF 1