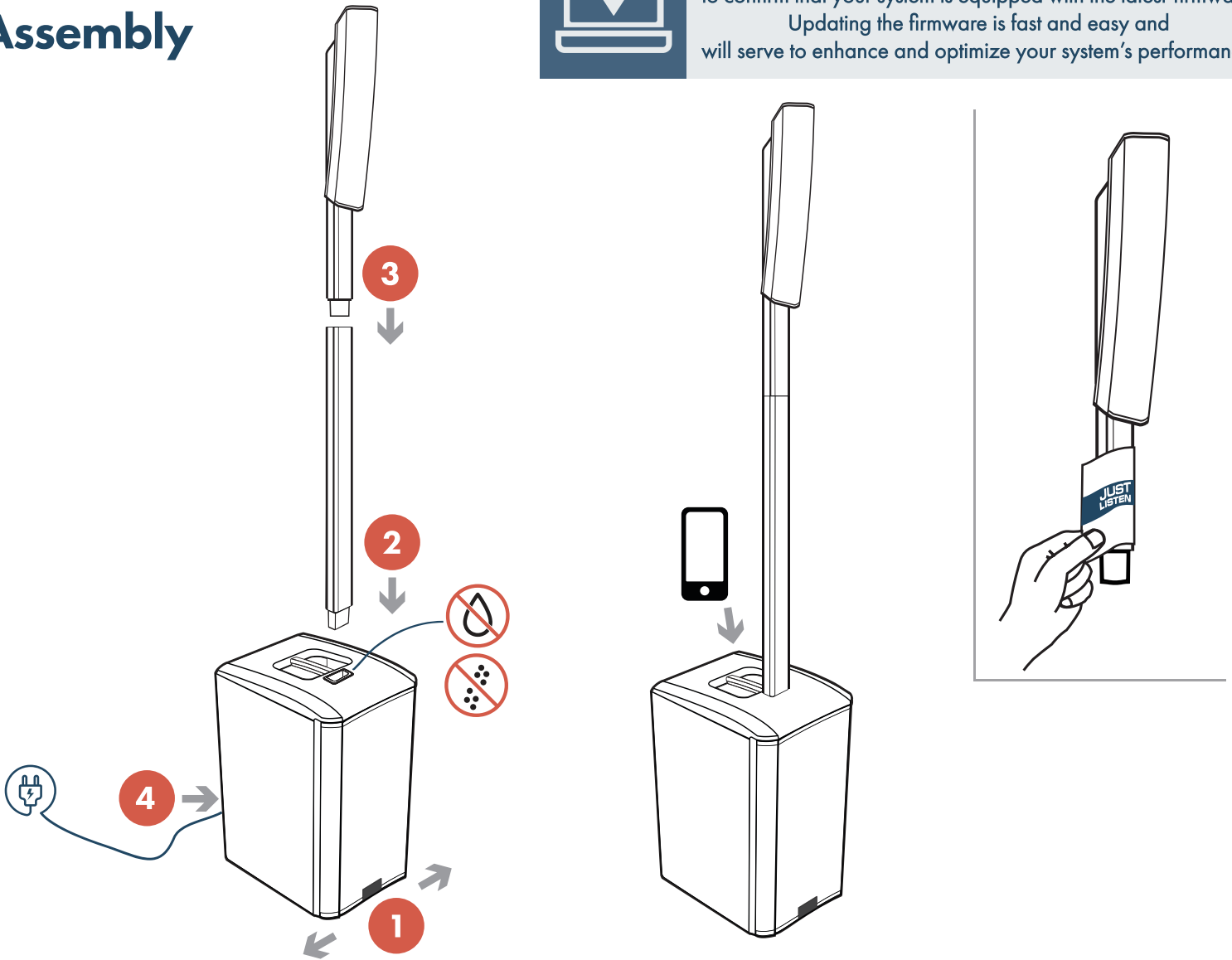


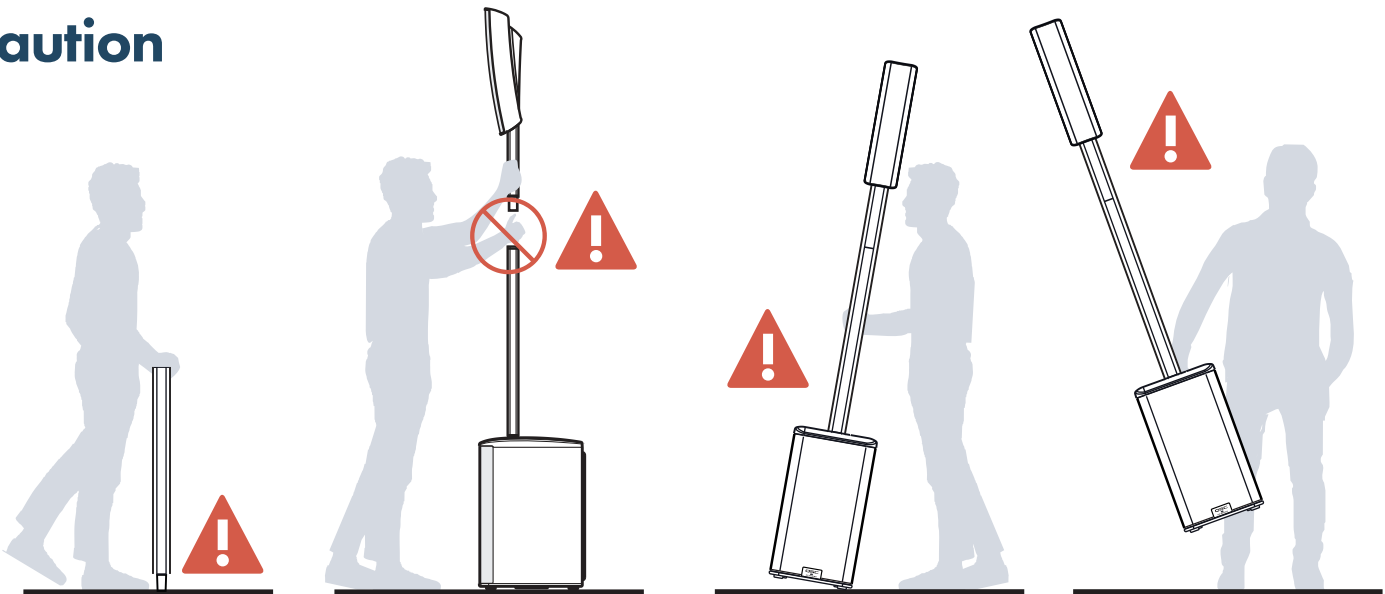
## Assembly



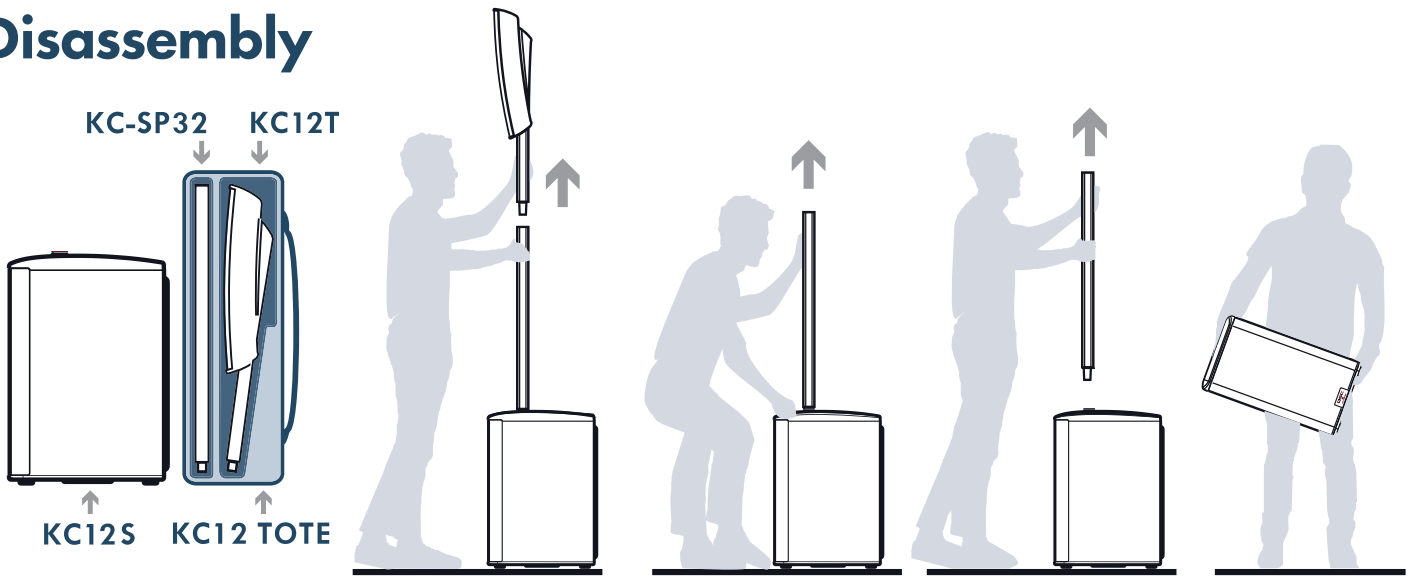
Before operating your KC12, please visit [qscaudio.com/kc12](http://qscaudio.com/kc12) to confirm that your system is equipped with the latest firmware. Updating the firmware is fast and easy and will serve to enhance and optimize your system's performance.



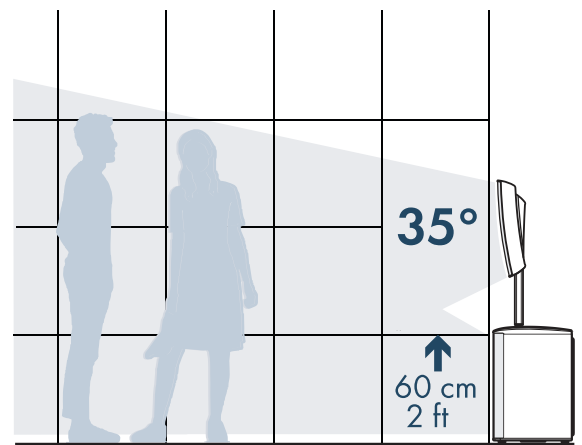
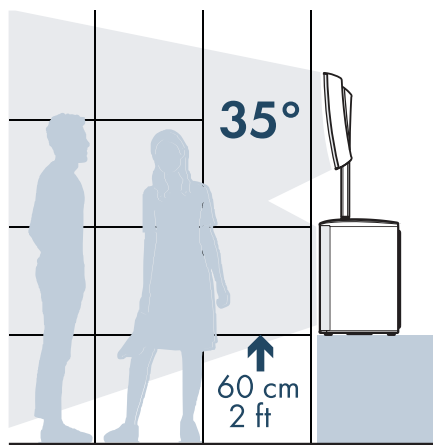
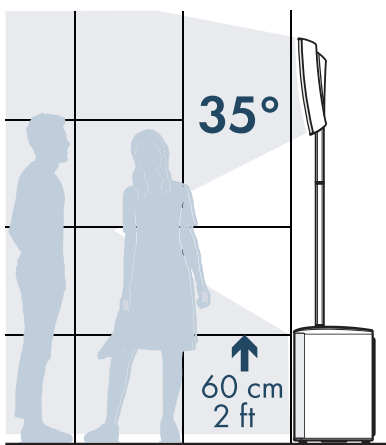
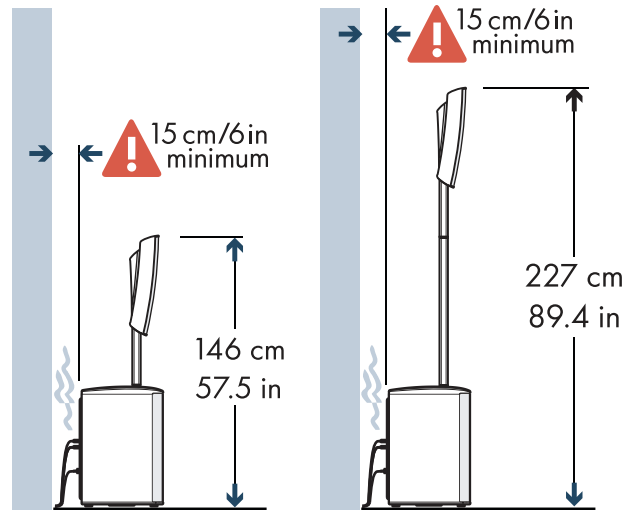
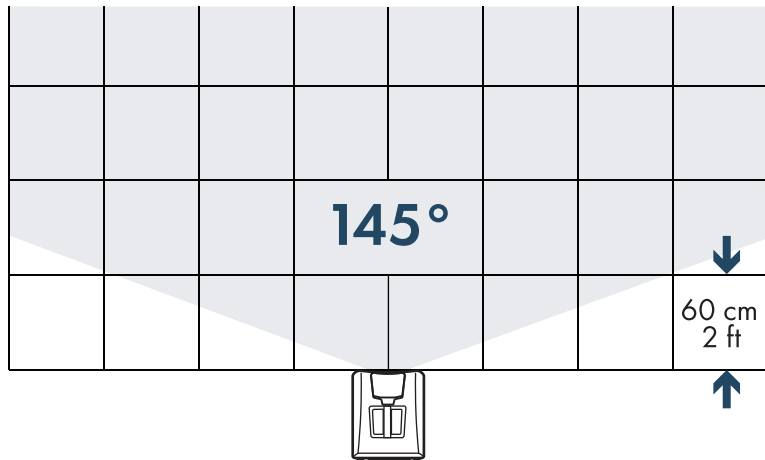
## Caution



## Disassembly



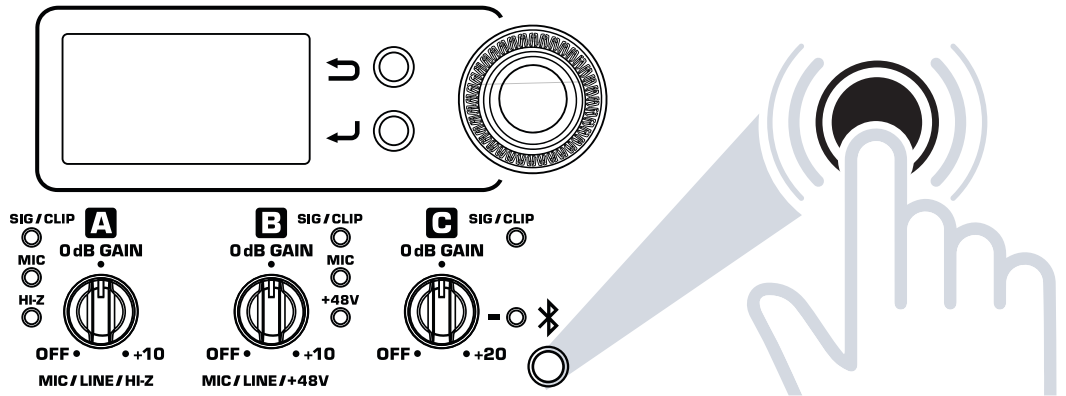
## Deployment & Coverage



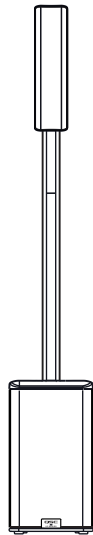
## Using Bluetooth

### On/Off

**On:** Short-Press  
**Off:** Long-Press :5 sec.

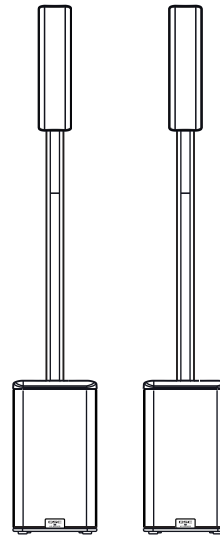


### Pairing



#### **MONO/LEFT** (1 System):

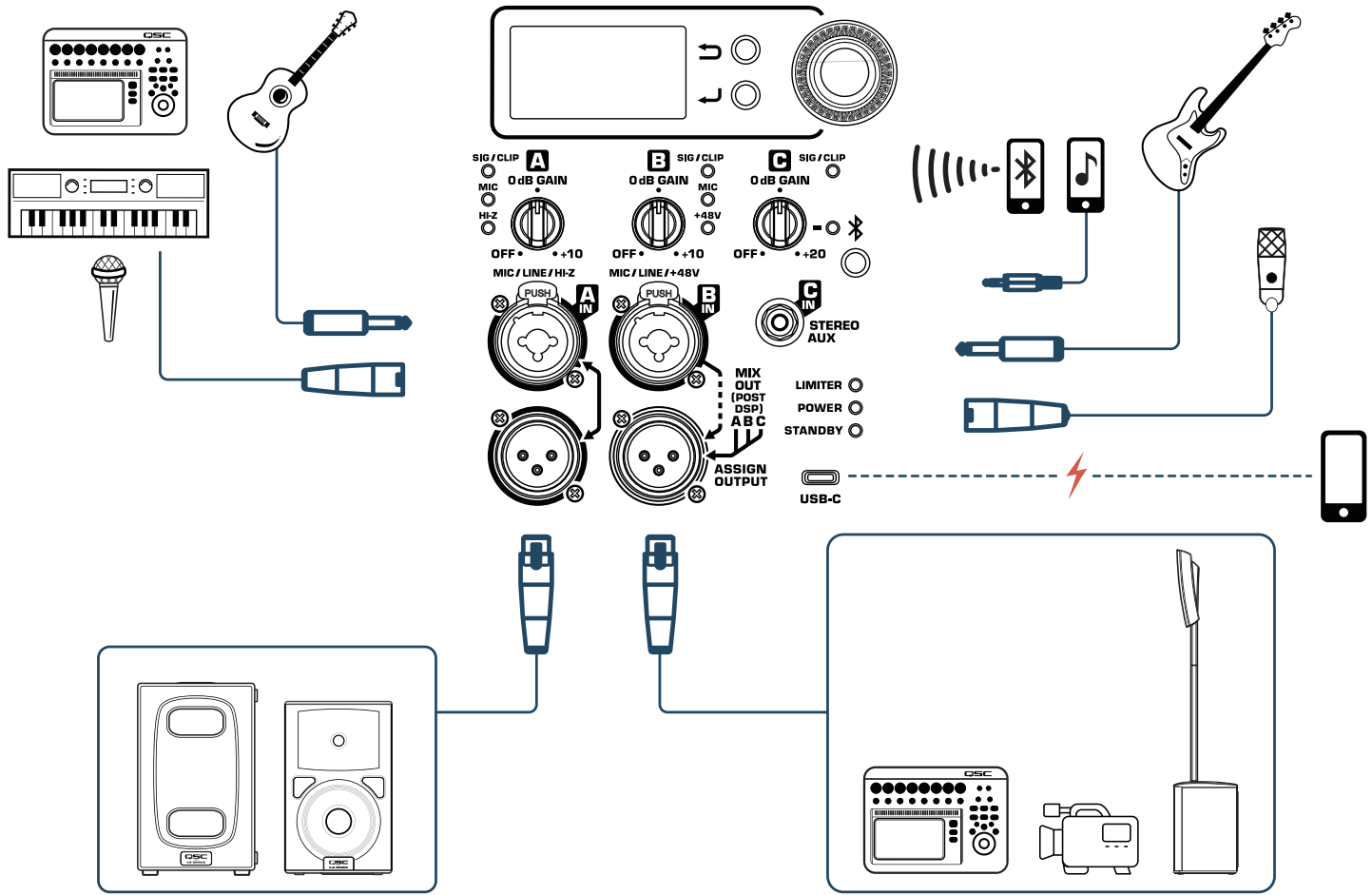
- 1) Long-press Bluetooth button :3sec.
- 2) Select **KC12** from host Bluetooth device



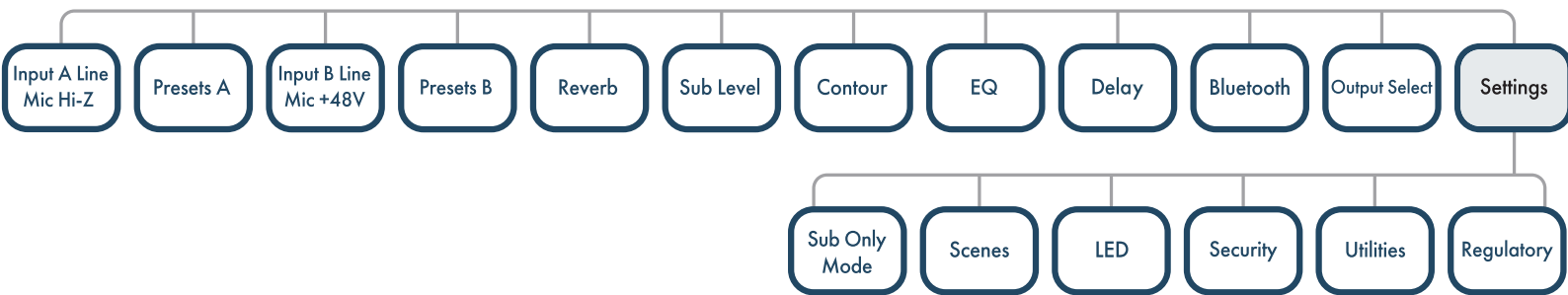
#### **MULTICAST** (up to 4 Systems):

- 1) Pair first system
- 2) Select **MULTI** in Bluetooth menu of first system
- 3) In all other systems, select **MULTI** in Bluetooth menu
- 4) Once connected, select in each system **LEFT**, **RIGHT** or **MONO** in the Bluetooth menu

# KC12 Quick Start Guide



## Menu Map



### Mailing Address

QSC, LLC  
 1675 MacArthur Boulevard  
 Costa Mesa, CA 92626-1468  
 USA

### Telephone

**Main:** +1.714.754.6175  
**Sales & Marketing:** +1.714.957.7100  
 or toll free (USA only): +1.800.854.4079  
**Customer Service:** +1.714.957.7150  
 or toll free (USA only): +1.800.772.2834

### Facsimile

**Sales & Marketing:** +1.714.754.6174  
**Customer Service:** +1.714.754.6173

### Email

info@qsc.com  
 service@qsc.com



**KC12 Video  
 Playlist**



TD-001628-03 (WEB)

For the latest version of this document please go to [qscaudio.com](http://qscaudio.com).

