

## KC12

### Active 3-Way Column Loudspeaker System

#### DJs/Mobile Entertainers – Musicians/Bands – AV Rental/Event Productions

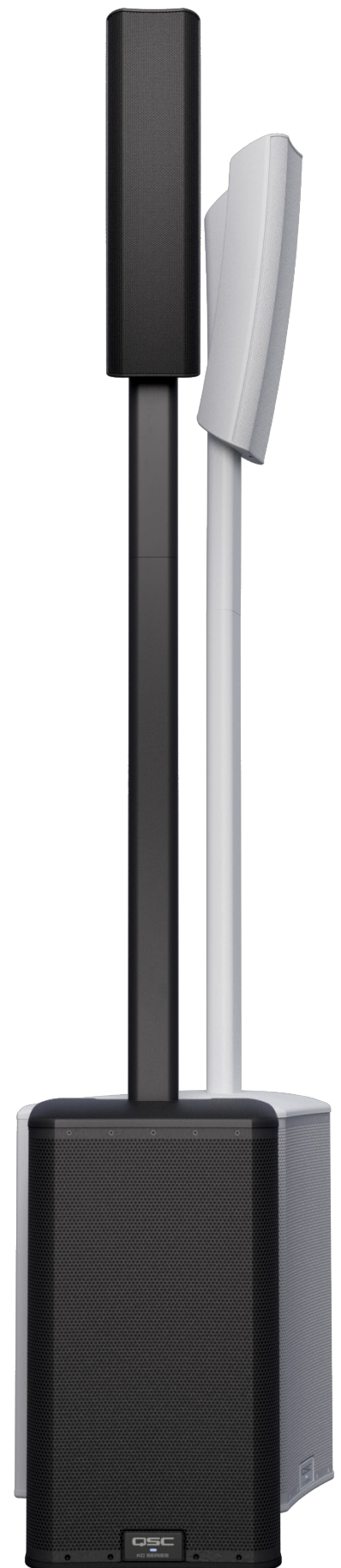
Building on the legacy of the World of K® portfolio, the KC12 is a 3-way, 3000-watt loudspeaker system encompassing the visual aesthetic of a column loudspeaker, while surpassing the acoustic performance of conventional designs. Simple and rapid to deploy, the elegant KC12 is ideal for solo entertainers, musicians and bands, mobile entertainers and DJs, AV productions and static installations.

The highly portable KC12 system consists of a ported subwoofer, housing a 12-inch driver extending down to 40 Hz. The groundbreaking design of the mid/high enclosure features a 1-inch compression driver combined with the innovative QSC LEAF™ (Length-Equalized Acoustic Flare) waveguide, as well as two high-excursion 4-inch midrange drivers. Thanks to this 3-way design, the system provides an outstanding full-range horizontal coverage of 145 degree, and 35 degrees of audience-directed vertical coverage, with clean and natural sound at all output levels.

Configured with or without its column pole, the system is ideally suited for direct deployment on a floor, stage or riser. Available in black and white, the KC12 is backed by an industry-best global 6-Year Extended Warranty, with product registration.

#### Key Features

- 3-way loudspeaker system featuring a 12-inch (305 mm) subwoofer, two high-excursion 4-inch (102 mm) midrange drivers and a 1-inch (25.4 mm) HF compression driver combined with the proprietary QSC LEAF™ waveguide.
- Very high, undistorted 132 dB maximum peak SPL.
- Energy-efficient Class D amplification featuring 3000 W of total peak power with Power Factor Correction and extremely low AC consumption.
- Innovative QSC LEAF™ (Length-Equalized Acoustic Flare) waveguide provides defined, uniform coverage (145° H x 35° V) and excellent throw.
- Two combo XLR inputs (Mic/Line/Hi-Z and Mic/Line/+48 V), with independent, assignable Factory Presets for each input, perfect for small events where two microphones are needed for different use.
- Multi-function digital display for control and selection of loudspeaker functions including Global Parametric EQ, Subwoofer level, Presets and Scenes, Bluetooth® configuration, Delay (200 ms) or Reverb.
- Bluetooth Audio featuring True Wireless Stereo (TWS), which ensures low-latency pairing between music source and both left and right loudspeakers, simultaneously.
- Configured with or without its column pole, the system is ideally suited for direct deployments on a floor, stage or riser.
- Available in black and white finishes.
- Industry-best global 6-Year Extended Warranty with product registration.



## KC12

Configuration	Active 3-Way Column Loudspeaker System
LF Transducer	305 mm (12-inch), cone
MF Transducers	2 x 102 mm (4-inch), cone
HF Transducer	25.4 mm (1-inch), compression driver
Frequency Response (-6 dB)	45 Hz - 18.5 kHz
Frequency Range (-10 dB)	40 Hz - 20 kHz
Nominal Coverage Angle	145° H x 35° V
Maximum Rated SPL <sup>1</sup> (peak)	132 dB @ 1 m
Amplification (peak)	Class D, 3000 W (KC12S Subwoofer 2000 W, KC12T Midrange/High Frequencies 1000 W)
Cooling	Low noise, variable speed fan
Controls	1 x Rotary encoder and 2 x Push buttons 3 x Rotary level potentiometers 1 x AC power switch
Indicators	Monochrome LCD Display 45 x 25.4 mm (1.75 x 1 inch) 2 x Power LEDs (blue), Subwoofer front and rear 1 x Standby LED (yellow) 1 x Limiter LED (red) 3 x Input Signal/Clip LEDs (Signal: green / Clipping: red) Input A: Mic/Line with assignable Hi-Z selected LED Input B: Mic/Line with assignable +48 V selected LED Input C: Bluetooth selected LED
Connectors	2 x locking XLR/F ¼ inch combo (Mic/Line with assignable Hi-Z and Mic/Line with assignable +48 V) 2 x XLR/M (1 x Loop-thru / 1 x Assignable Mix Output Post-DSP) 1 x 3.5 mm TRS (Stereo Input) 1 x USB-C (5V 3A Output for charging mobile devices/Firmware Update) 1 x locking IEC power connector
AC Power Input	Universal power supply, 100-240 VAC, 50/60 Hz
AC Power Consumption <sup>2</sup>	100-240 VAC ~ 3.7-1.8 A
System Components	<b>KC12T</b> 145° Dual 4-inch Column System Loudspeaker <b>KC-SP32</b> 32-inch Column System Pole <b>KC12S</b> 3kW Active 12-inch Column System Subwoofer
Enclosure Materials	Impact resistant ABS, 12 mm birch plywood and powder-coated aluminum
Color	Black (RAL 9011), White (RAL 9010)
Grille	Powder-coated steel with internal cloth lining (KC12T: 21 Gauge / KC12S: 18 Gauge)
System Height	Tall Deployment: 2270 mm / 89.4 in (with KC-SP32) Short Deployment: 1463 mm / 57.6 in (without KC-SP32)
Dimensions (H x W x D)	KC12T: 890 x 141 x 158 mm / 35 x 5.6 x 6.2 in KC-SP32: 881 x 74 x 46 mm / 34.7 x 3 x 1.8 in KC12S: 655 x 357 x 455 mm / 25.8 x 14 x 18 in
Net Weight	Tall Deployment: 27.3 kg / 60.3 lb (with KC-SP32) KC12T: 4.0 kg / 8.9 lb KC-SP32: 1.3 kg / 2.9 lb KC12S: 22.0 kg / 48.5 lb
Supplied Accessory	KC12 TOTE: Tote for transportation/storage of KC12T and KC-SP32
Accessory	KC12 CVR: Cover for KC12S
Regulatory	CE, WEEE, UL, China RoHS, RoHS II, FCC Class B

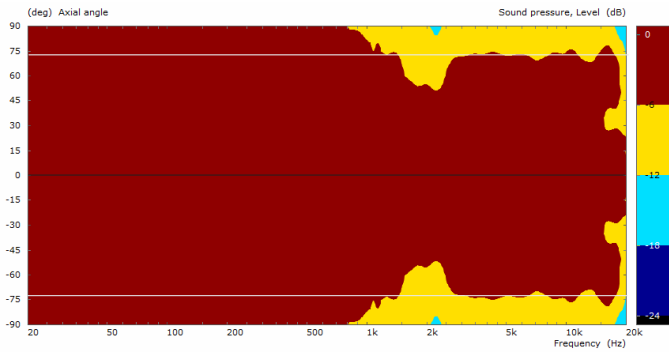
(1) Measured at 1 meter, on-axis, using IEC268 Pink Noise.

(2) 1/8 power is representative of current draw with typical music program material with occasional clipping.

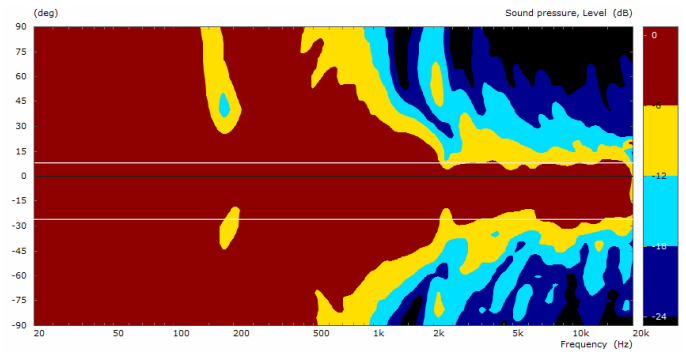
The Bluetooth® word mark and logos are registered trademarks owned by Bluetooth SIG, Inc.

All specifications are subject to change without notice.

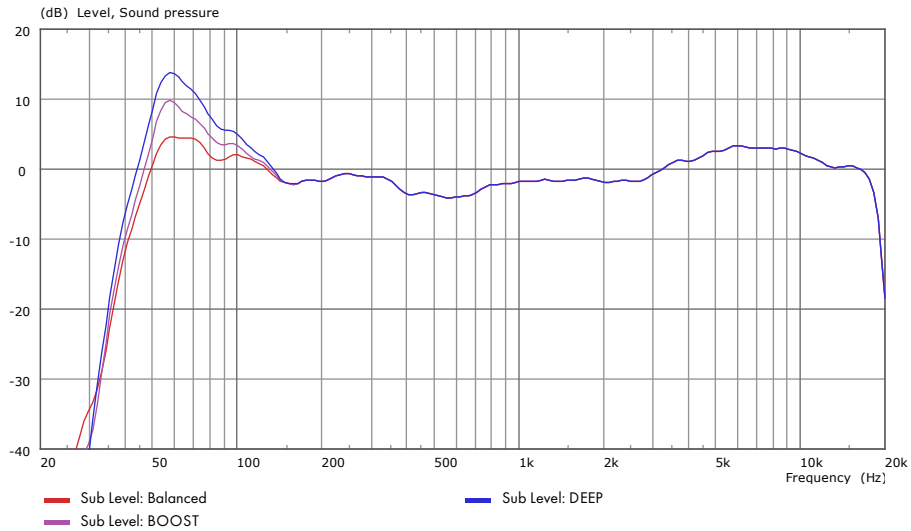
# Measurements



KC12 Horizontal coverage (1/3 Octave smoothing)

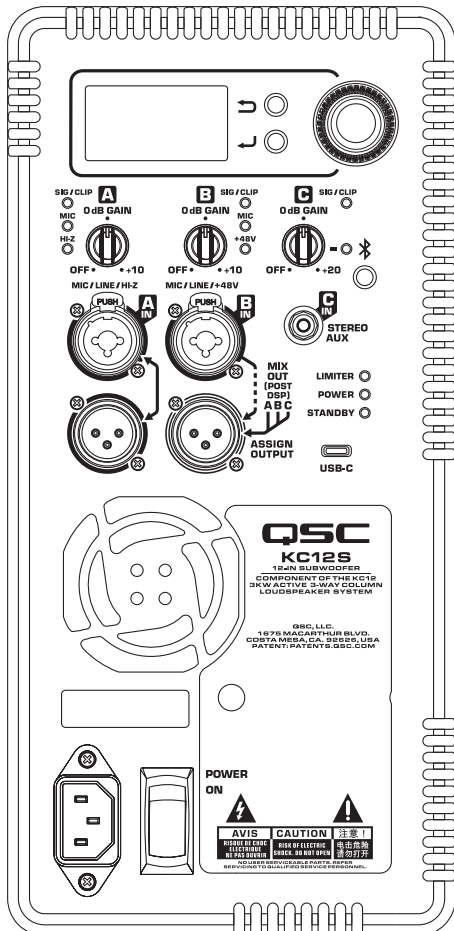


KC12 Vertical coverage (Tall deployment, 1/3 Octave smoothing)

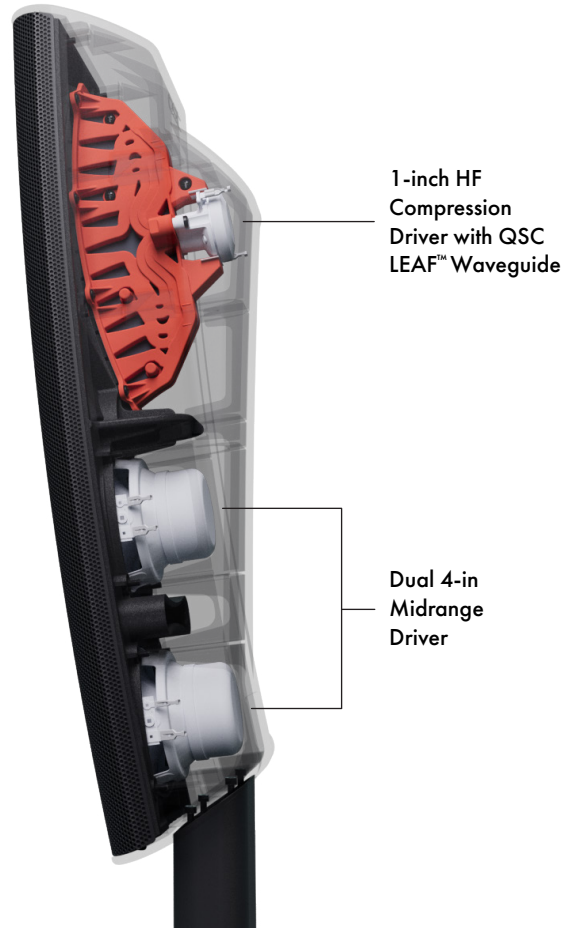


KC12 Frequency response (On-axis, 1/3 Octave smoothing)

# Backpanel Controls & Connections



# KC12T Column System Loudspeaker



# Deployments Dimensions

